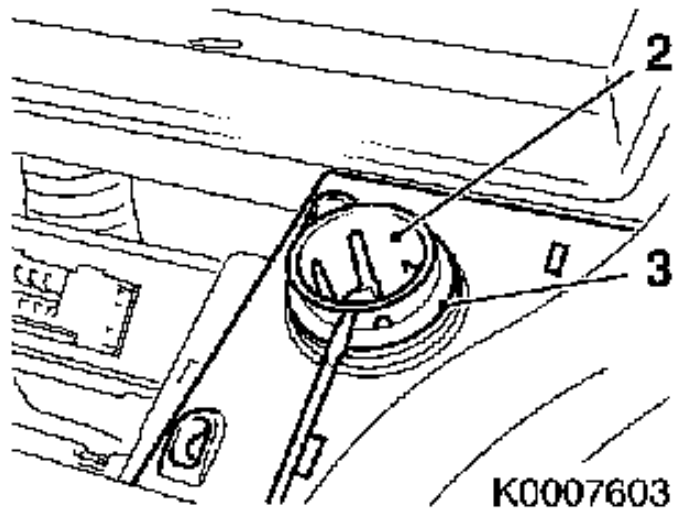
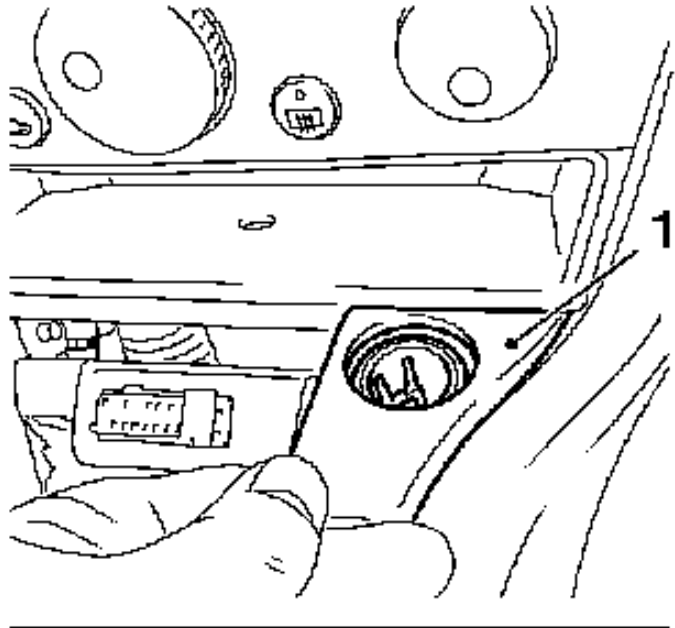
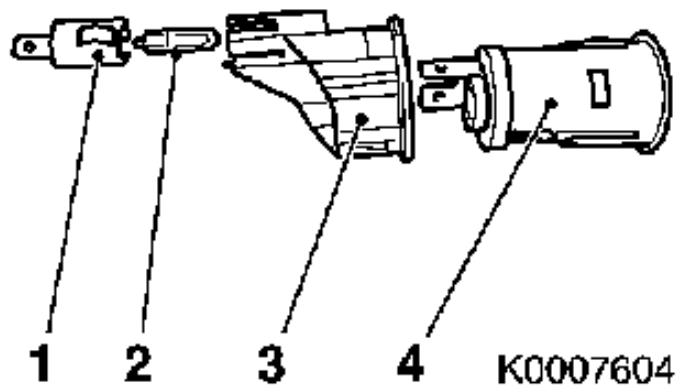
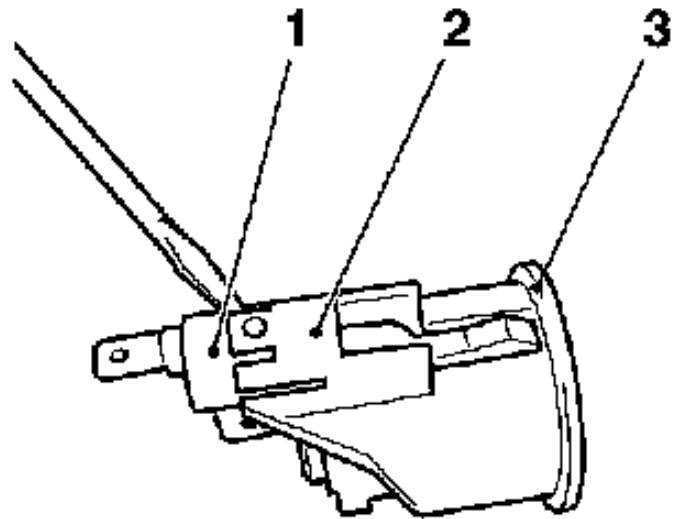


Cigarette Lighter, Remove and Install; Bulb – Cigarette Lighter, Replace

1. Remove ashtray
 - Remove ashtray
2. Remove cigarette lighter
 - Pull out cigarette lighter (heating unit)
3. Remove cigarette lighter panel (1)
 - Unclip cigarette lighter panel
4. Detach cigarette lighter housing (2) from illumination ring (3)
 - Disconnect 2x wiring harness plug
 - Note:** Under the cigarette lighter housing, not shown in figure
 - Detach/lever housing/illumination ring
 - Remove cigarette lighter housing
 - Remove illumination ring



5. Replace bulb
 - Release bulb socket (1), disconnect
 - Pull out bulb socket
 - Pull out bulb (2)
 - Note:** (3) illumination ring
 - (4) cigarette lighter housing



Install

6. Install bulb
 - Insert bulb
7. Wiring harness plug on bulb socket
 - Connect wiring harness plugs.
8. Install illumination ring
 - Insert illumination ring
9. Install cigarette lighter housing
 - Connect wiring harness plugs.

- Insert cigarette lighter housing
Note: Ensure correct installation position, guides (1) on cigarette lighter housing and on illumination ring

10. Install bulb socket

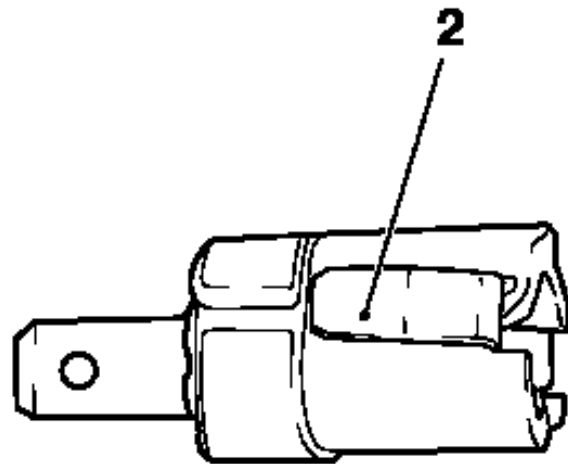
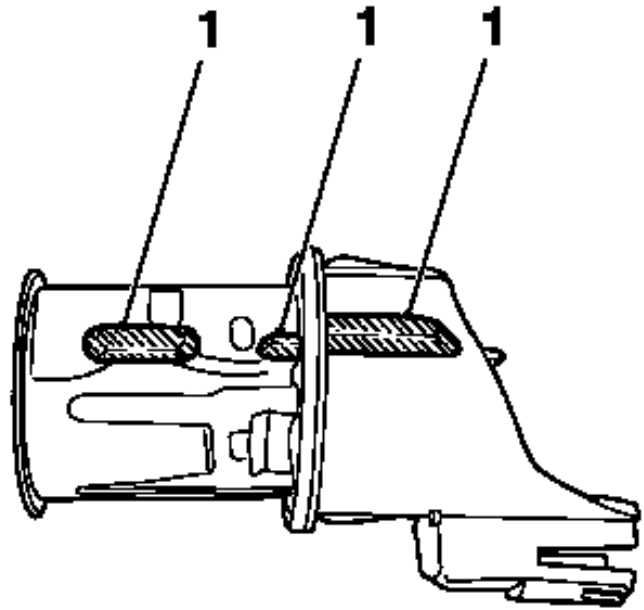
- Connect wiring harness plug onto bulb socket
- Insert bulb socket
Note: The contact spring (2) must point to metal housing of cigarette lighter.

11. Install cigarette lighter panel

- Clip on cigarette lighter panel

12. Insert heating unit

13. Insert ashtray



K0007605